

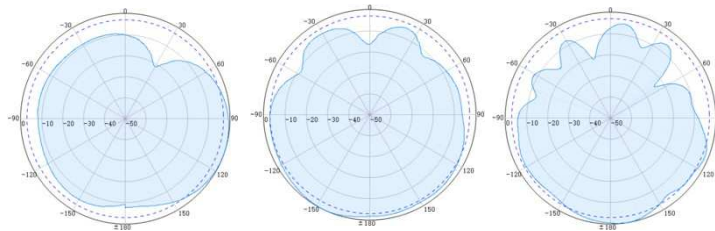
78712036

Indoor Omni Antenna Ultra-Thin
H/H-Pol 2-port 4/6dBi
698-960 / 1425-6000

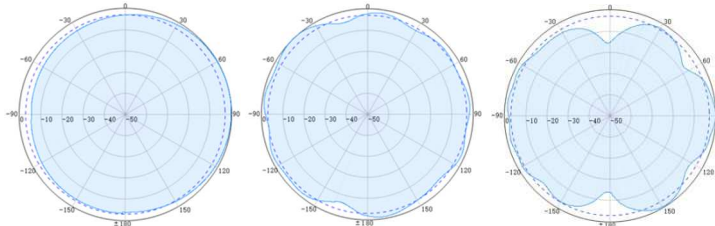
Omni Indoor 698-960/1425-6000 4/6dBi (Ultra-Thin)

Type	78712036			
Frequency (MHz)	698-960	1425-2170	2300-2700	3300-4000
Gain (dBi)	4.0	5.5	5.5	6.0
VSWR	≤ 1.8	≤ 1.7	≤ 1.7	≤ 1.7
Polarization	H-H			
Isolation (dB)	≥15	≥20	≥20	≥28
PIM3 (dBc, @2x43dBm)	≤ -153			
Horizontal Beamwidth (°)	360			
Vertical Beamwidth (°)	100-120	30-68	30-68	20-48
Input Impedance (ohm)	50			
Max. Input Power (W)	100			
Lightning Protection	DC Grounded			
Connector	2 x 4.3-10 Female			
Dimension (mm)	Ø285 x 8			
Weight (kgs)	Approx. 0.5			
Radome Material	ABS (UV Stabilized)			
Operating Temperature (°C)	-40 to +65			

H-Pattern



V-Pattern

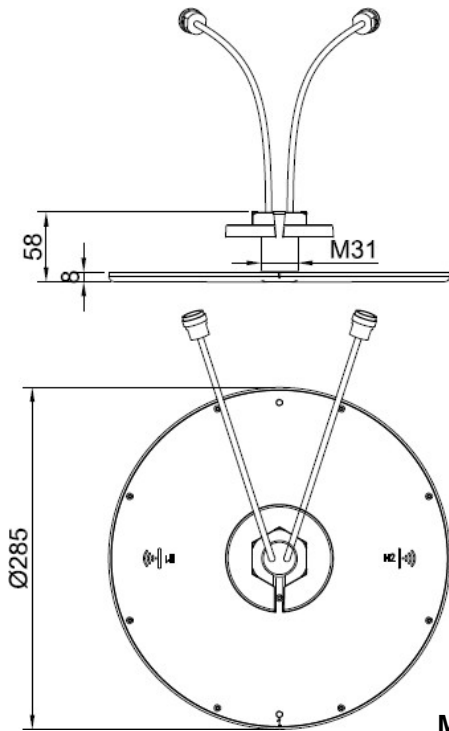


698MHz

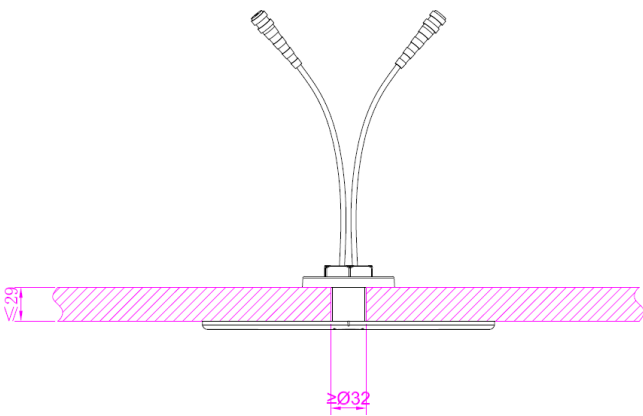
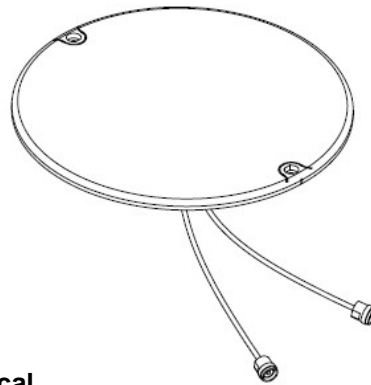
2100MHz

3500MHz



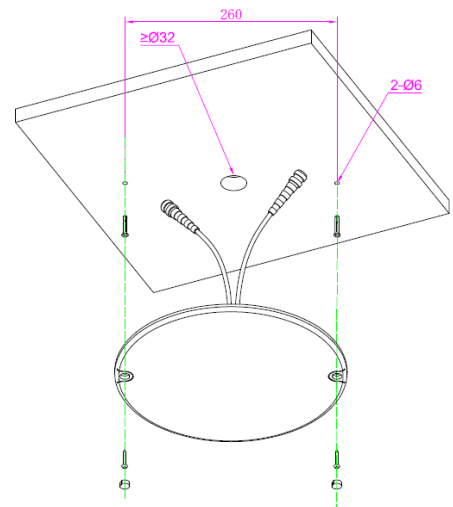


Mechanical



Installation option 1

Mount on ceiling with Locking nut



Installation option 2

Mount on ceiling with screws